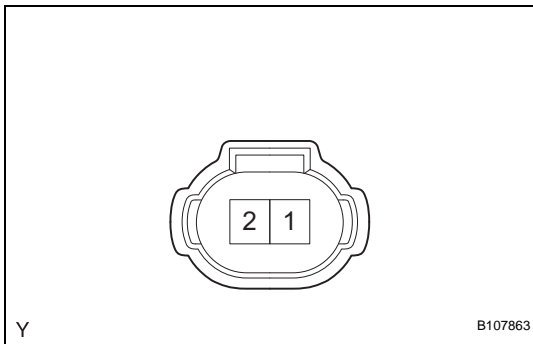


- (b) Disconnect the connector and remove the wireless door lock buzzer.



INSPECTION

1. INSPECT WIRELESS DOOR LOCK BUZZER

- (a) Check the resistance.
 (1) Using an ohmmeter, measure the resistance between the terminals.

Standard Resistance

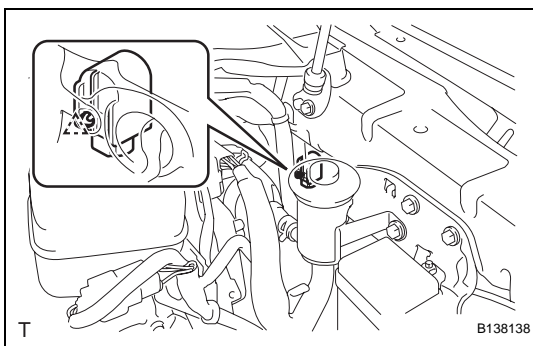
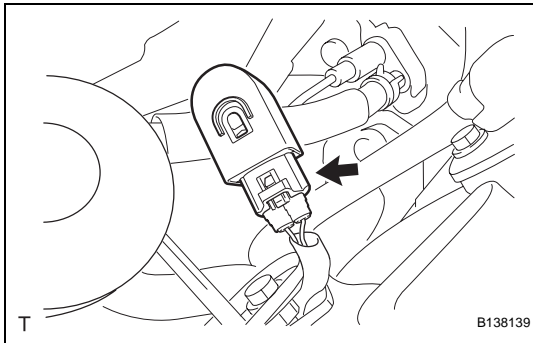
Tester Connection	Specified Condition
1 (B) - 2 (B2)	Approximately 1 kΩ

If the result is not as specified, replace the wireless door lock buzzer.

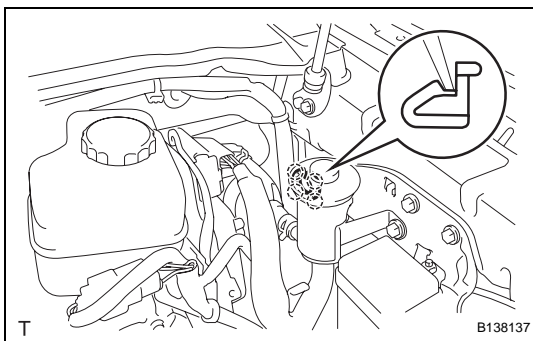
INSTALLATION

1. INSTALL WIRELESS DOOR LOCK BUZZER

- (a) Connect the connector.

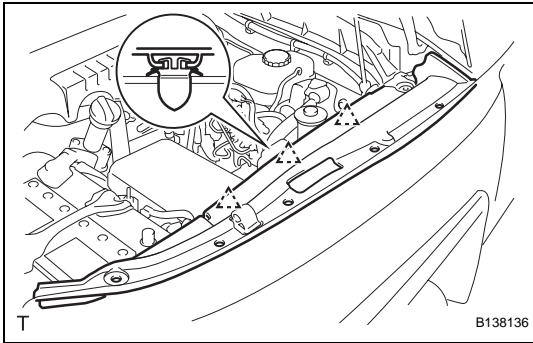


- (b) Engage the clamp and install the wireless door lock buzzer.



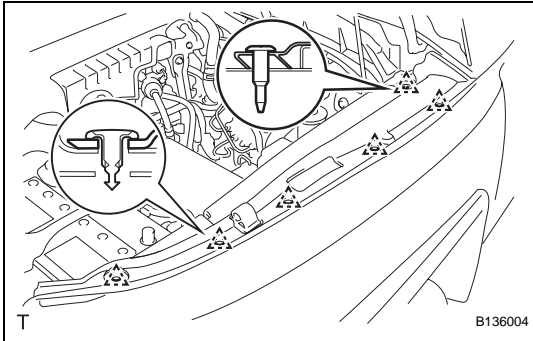
2. INSTALL NO. 1 WIRING HARNESS PROTECTOR

- (a) Engage the 4 claws and install the No. 1 wiring harness protector.



3. INSTALL FRONT FENDER SPLASH SHIELD SUB-ASSEMBLY

- (a) Engage the 3 clips and install the front fender splash shield.



- (b) Engage the 6 clips.

4. CONNECT CABLE TO NEGATIVE BATTERY TERMINAL

Torque: 3.9 N*m (40 kgf*cm, 35 in.*lbf)